

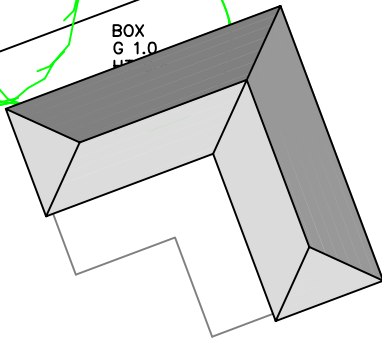
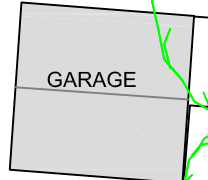
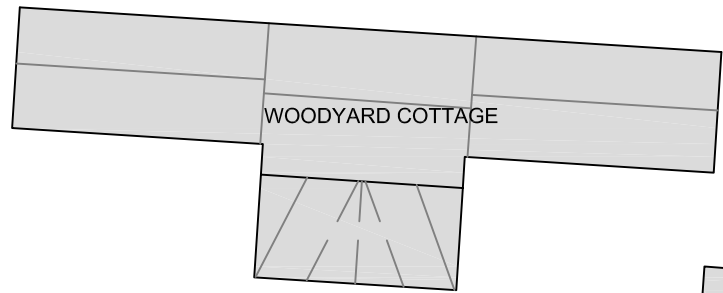
DEVELOPMENT CONTROL PANEL

28/06/2012

ITEM 4

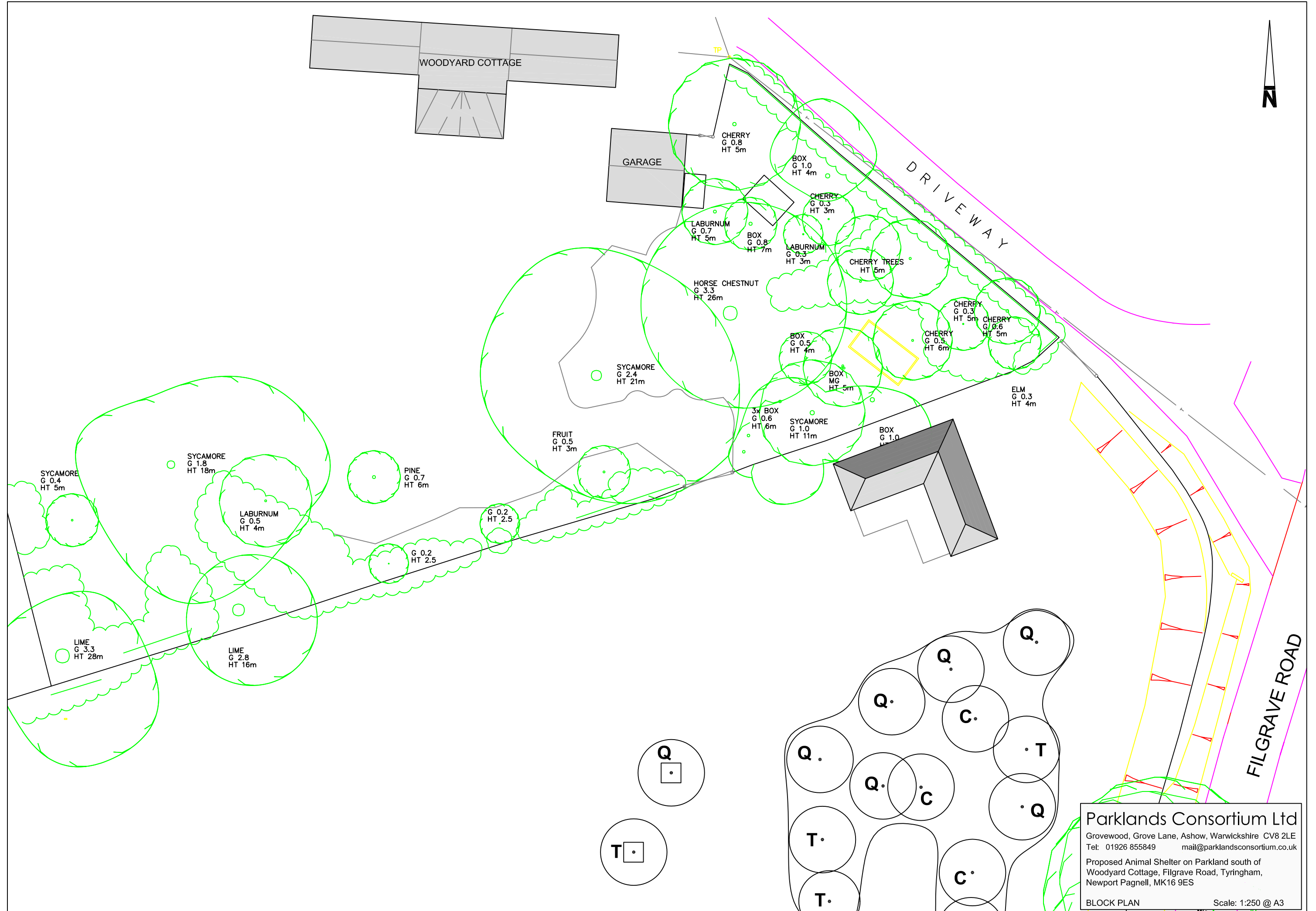
OTH04 –
APPLICATION 12/00433/FUL

CORRECTED PLANS



DRIVEWAY

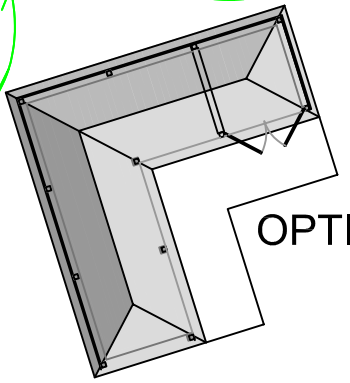
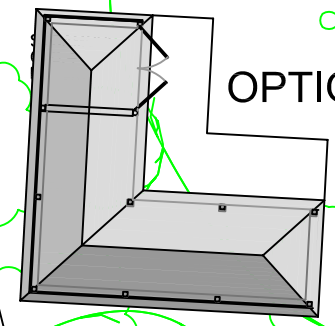
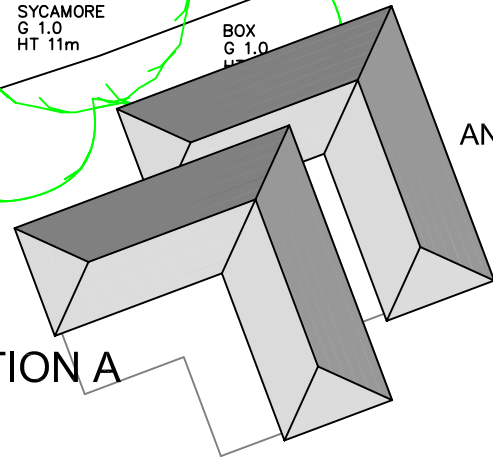
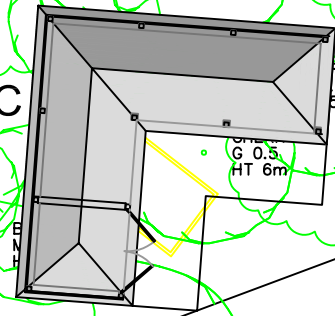
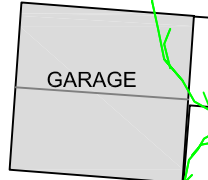
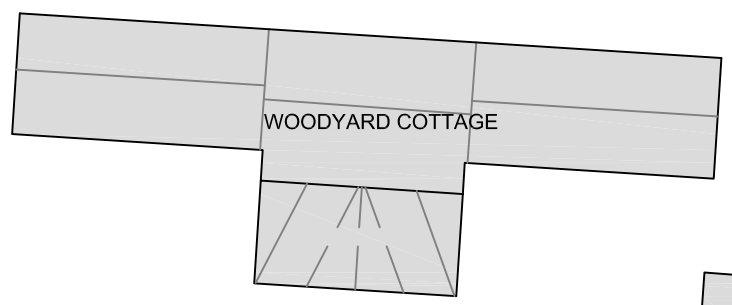
FILGRAVE ROAD



Parklands Consortium Ltd
 Grovewood, Grove Lane, Ashow, Warwickshire CV8 2LE
 Tel: 01926 855849 mail@parklandsconsortium.co.uk

Proposed Animal Shelter on Parkland south of
 Woodyard Cottage, Filgrave Road, Tyringham,
 Newport Pagnell, MK16 9ES

BLOCK PLAN Scale: 1:250 @ A3



DRIVEWAY

FILGRAVE ROAD

WOODYARD COTTAGE

GARAGE

OPTION C

PROPOSED ANIMAL SHELTER

OPTION B

OPTION A

OPTION D

OPTION E

CHERRY
G 0.8
HT 5m

BOX
G 1.0
HT 4m

CHERRY
G 0.3
HT 3m

LABURNUM
G 0.7
HT 5m

BOX
G 0.8
HT 7m

LABURNUM
G 0.3
HT 3m

CHERRY TREES
HT 5m

HORSE CHESTNUT
G 3.3
HT 26m

CHERRY
G 0.6
HT 5m

SYCAMORE
G 2.4
HT 21m

BOX
G 0.5
HT 4m

CHERRY
G 0.5
HT 6m

ELM
G 0.3
HT 4m

FRUIT
G 0.5
HT 3m

3x BOX
G 0.6
HT 6m

SYCAMORE
G 1.0
HT 11m

BOX
G 1.0
HT 11m

SYCAMORE
G 1.8
HT 18m

PINE
G 0.7
HT 6m

LABURNUM
G 0.5
HT 4m

G 0.2
HT 2.5

G 0.2
HT 2.5

LIME
G 3.3
HT 28m

LIME
G 2.8
HT 16m

Q

T

Q

Q

Q

Q

C

T

Q

Q

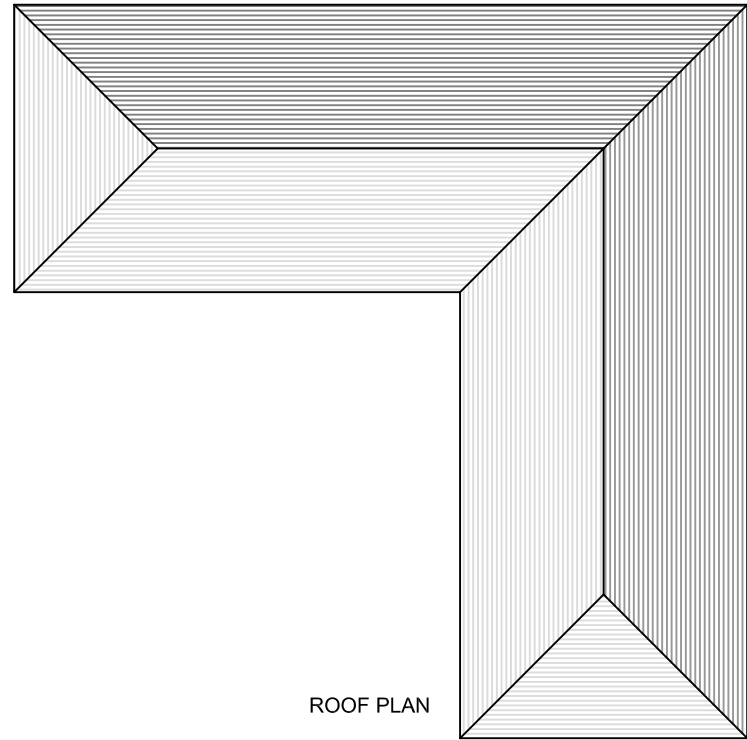
C

T

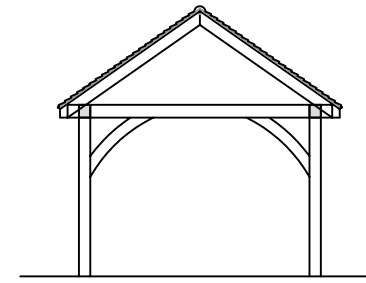
T

C

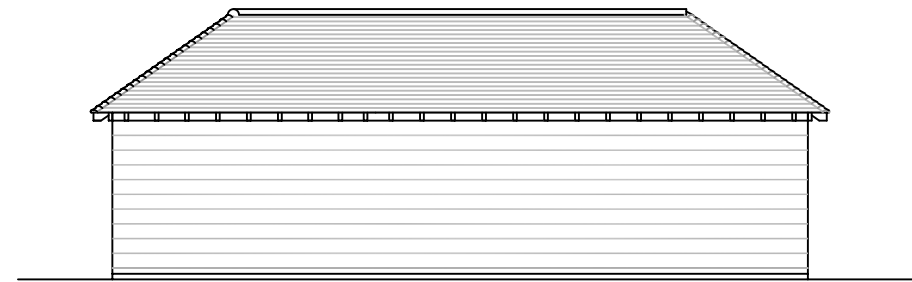
Parklands Consortium Ltd
 Grovewood, Grove Lane, Ashow, Warwickshire CV8 2LE
 Tel: 01926 855849 mail@parklandsconsortium.co.uk
 Proposed Animal Shelter on Parkland south of
 Woodyard Cottage, Filgrave Road, Tyringham,
 Newport Pagnell, MK16 9ES
 BLOCK PLAN ANALYSIS Scale: 1:250 @ A3



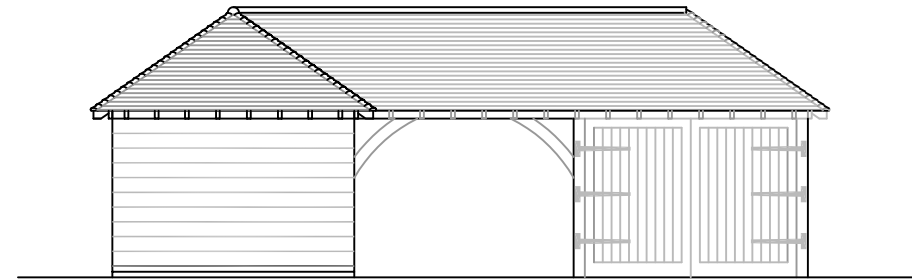
ROOF PLAN



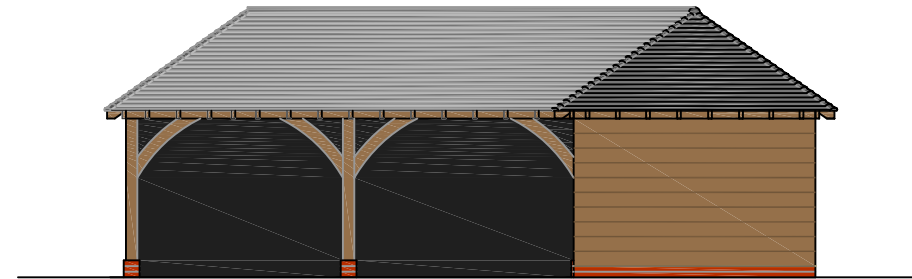
SECTION



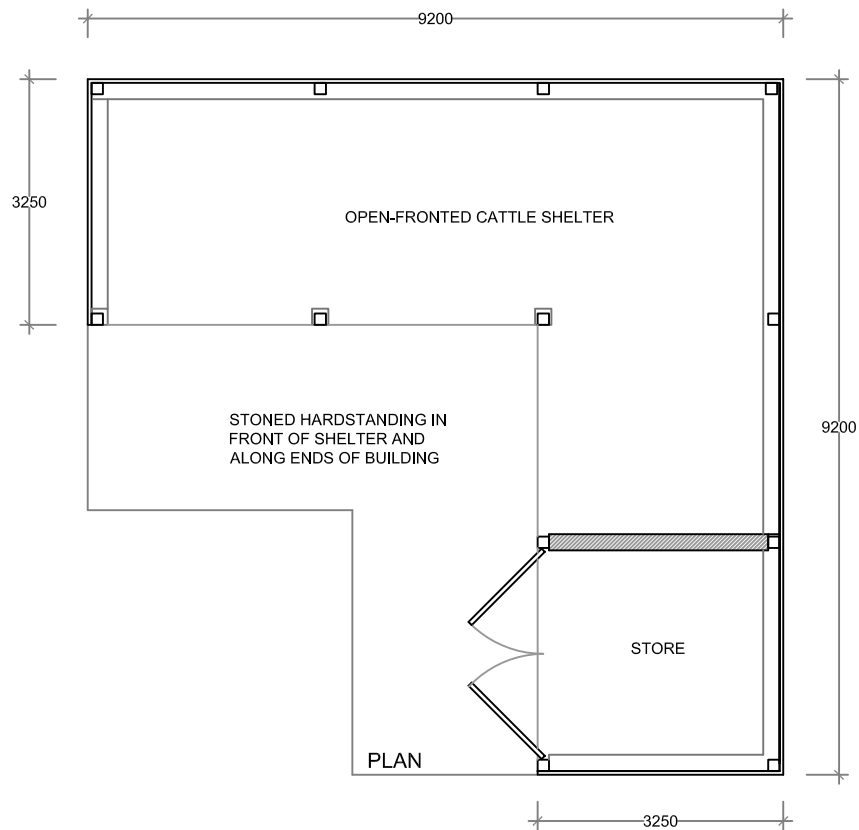
NORTH & EAST ELEVATIONS



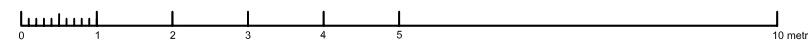
WEST ELEVATION



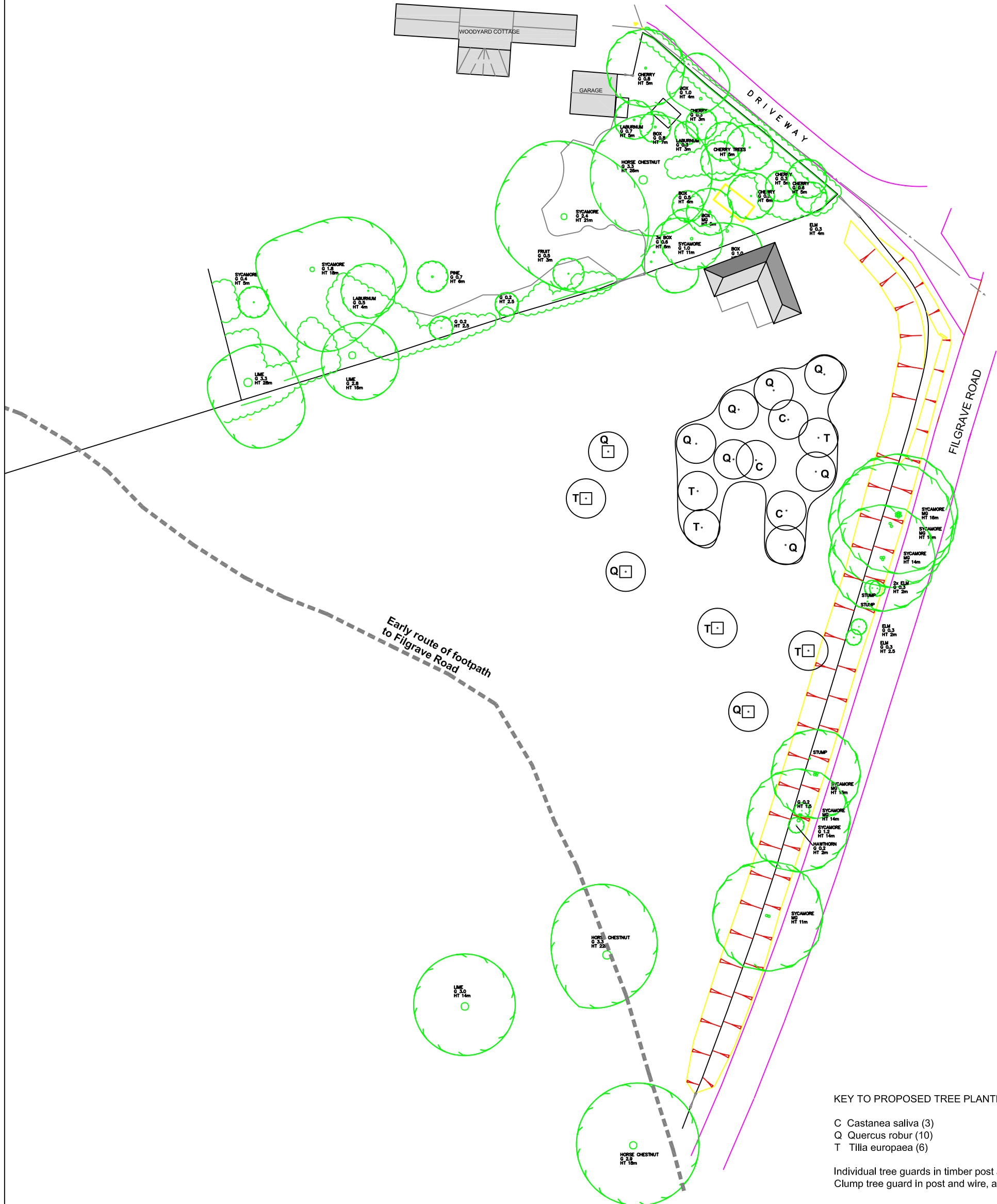
SOUTH ELEVATION



- SPECIFICATION NOTES**
- Oak frame on brickwork plinth & column bases
 - Brick dividing wall between closed store and open area.
 - Straight-edged board cladding
 - Framed, ledged & braced oak doors to store
 - Slate roof with hipped ends and exposed rafter feet
 - Concrete floor inside shelter, stone path/forecourt



Parklands Consortium Ltd
 Grovewood, Grove Lane, Ashow, Warwickshire CV8 2LE
 Tel: 01926 855849 mail@parklandsconsortium.co.uk
 Proposed Animal Shelter on Parkland south of
 Woodyard Cottage, Filgrave Road, Tyringham,
 Newport Pagnell, MK16 9ES
 PLANS, ELEVATIONS & SECTION Scale 1:100 @ A3



KEY TO PROPOSED TREE PLANTING

- C Castanea saliva (3)
- Q Quercus robur (10)
- T Tilia europaea (6)

Individual tree guards in timber post and rail
Clump tree guard in post and wire, as indicated

Parklands Consortium Ltd
Groewood, Grove Lane, Ashow, Warwickshire CV8 2LE
Tel: 01926 855849 mail@parklandsconsortium.co.uk
Proposed Animal Shelter on Parkland south of
Woodyard Cottage, Filgrave Road, Tyringham,
Newport Pagnell, MK16 9ES